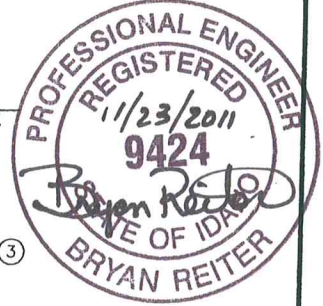
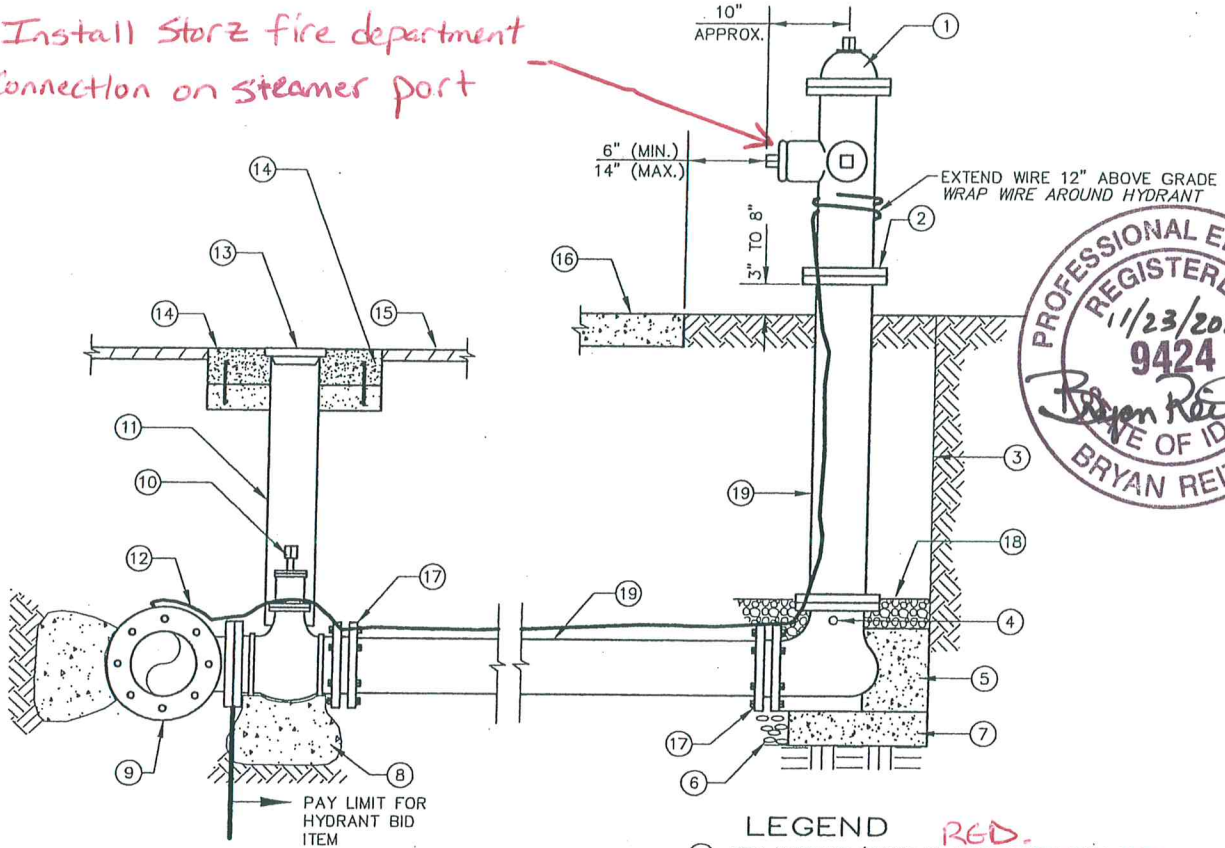


*Install Storz fire department
Connection on steamer port*



FIRE HYDRANT DETAIL

NTS

NOTES:

- (A) HYDRANTS THAT ARE TO BE RELOCATED AS CALLED FOR ON THE PLAN VIEW SHALL BE REINSTALLED IN ACCORDANCE WITH THIS DETAIL. LOCATION TO BE SET IN ACCORDANCE WITH LOCAL STANDARDS OR AS DIRECTED BY THE ENGINEER.
- (B) ALL AUXILIARY VALVES TO BE LOCATED AT THE TEE ON THE WATER MAIN AS SHOWN ON THIS DETAIL OR AS DIRECTED BY THE ENGINEER. WHERE EXISTING FITTINGS ARE NOT COMPATIBLE WITH NEW MAIN CONSTRUCTION, USE SUITABLE ADAPTERS OR NEW FITTINGS UPON APPROVAL BY THE ENGINEER.
- (C) ALL ANCHORS AND BLOCKING TO BEAR AGAINST UNDISTURBED SOIL.
- (D) IF WATER SERVICE TO HYDRANT IS TO COMMENCE PRIOR TO SETTING OF CONCRETE THRUST BLOCKING, USE A COMBINATION OF CONCRETE AND UNI-FLANGE SERIES 1300 JOINT RESTRAINT.
- (E) PLACE LOCATOR WIRE DIRECTLY ABOVE PIPE. SECURE FINDER WIRE UNDER (M.J) BOLT AT MAIN.
- (F) JOINT RESTRAINT DEVICES MAY BE USED AS AN ALTERNATE TO THRUST BLOCK WITH ENGINEER'S APPROVAL.

LEGEND

- (1) FIRE HYDRANT (PAINT IN ACCORDANCE WITH LOCAL STANDARDS).
- (2) BREAK AWAY BOLTS.
- (3) END OF TRENCH, EDGE OF RIGHT-OF-WAY.
- (4) DRAIN - KEEP CLEAR.
- (5) CAST IN PLACE CONCRETE THRUST BLOCK (4 SQ. FT. OF THRUST BLOCK REQUIRED) (SEE NOTE D).
- (6) 1" DRAIN ROCK EXTENDS 12" HORIZONTALLY FROM EACH SIDE OF CONCRETE BASE AND THRUST BLOCK AND VERTICALLY TO 2" ABOVE HYDRANT DRAIN WALL.
- (7) PRECAST CONCRETE BLOCK 1' X 1' X 6" THICK.
- (8) VALVE SUPPORT (PRECAST OR CAST IN PLACE).
- (9) TEE (MJ X MI X FLANGE) WITH THRUST BLOCK.
- (10) 6" C.I. AUXILIARY VALVE (MJ X FLANGE).
- (11) CAST IRON VALVE BOX.
- (12) NO. 12 AWG. COPPER WIRE FINDER. SEE SD-514 FOR SPLICING (SEE NOTE E).
- (13) 5 1/4" LOCKING LID (FYLER NO. 6855). *locking lid not required.*
- (14) 24"Ø X 6' CONCRETE COLLAR WITH (2) #4 REBAR HOOPS. *(in paved areas only)*
- (15) FINISHED GRADE.
- (16) SIDEWALK.
- (17) MECHANICAL CONNECTION.
- (18) COVER DRAIN ROCK WITH FILTER FABRIC.
- (19) 6" DIAMETER PIPE.

Acceptable Makes of Fire Hydrants:

- 1) Waterloo WB67250 with a 16" traffic section
- 2) Mueller Centurion
- 3) Clow Medallion

2007 REVISIONS

IDAHO STANDARDS
FOR PUBLIC WORKS
CONSTRUCTION

FIRE HYDRANT
DETAIL

STANDARD DRAWING
NO. SD-404