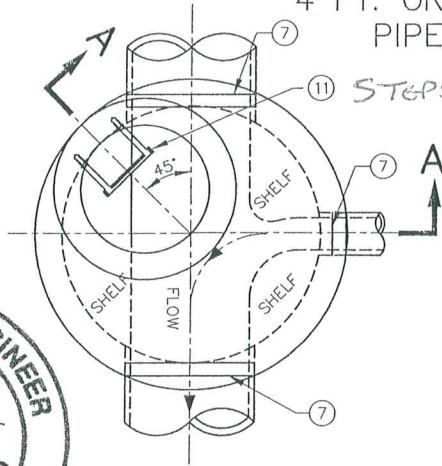


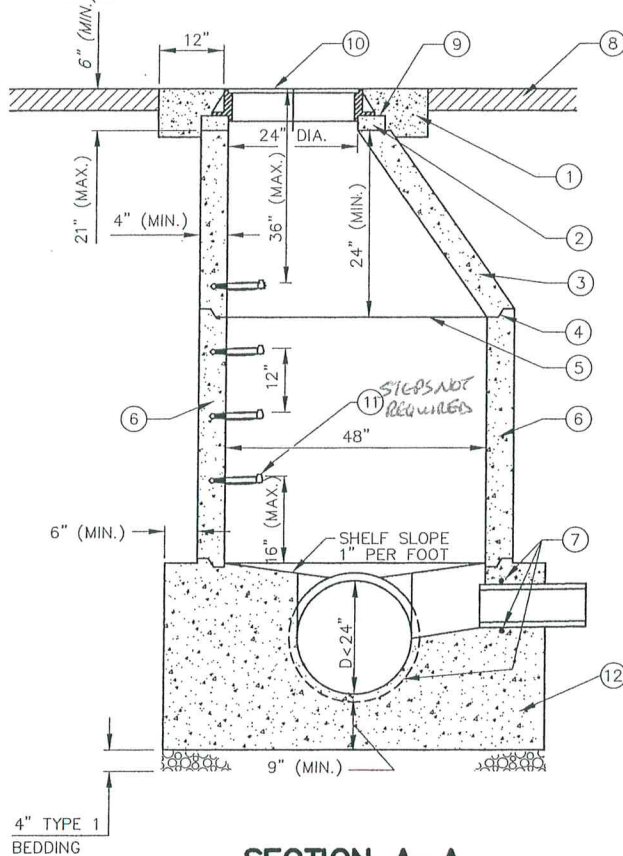
CONCENTRIC CONE

4 FT. OR GREATER DEPTH,
PIPE DIA. $\leq 24"$

⑪ STEPS NOT REQUIRED



PLAN
N.T.S.



SECTION A-A
N.T.S.

LEGEND

- ① CONCRETE COLLAR IN PAVED STREET SECTIONS PER SD-508.
- ② GRADE RINGS GROUTED WATERTIGHT IN PLACE, NOT TO EXCEED 21" FROM FINISHED SURFACE TO TOP OF CONE. *CONCENTRIC*
- ③ PRECAST MONOLITHIC-~~ECCENTRIC~~ CONE SECTION. (REBAR NOT SHOWN).
- ④ RAMNEK OR APPROVED GASKETS ALL JOINTS.
- ⑤ PROPERLY ALIGN ALL INTERIOR JOINTS.
- ⑥ PRECAST CONCRETE MANHOLE-BARREL SECTION (REBAR NOT SHOWN).
- ⑦ PRECAST GASKETED HUB RING OR RUBBER GASKETED COLLAR-FLEXIBLE AND WATER TIGHT.
- ⑧ REPLACEMENT SURFACING TO MATCH FLUSH WITH EXISTING SURFACING (AC SHOWN).
- ⑨ FRAME TO BE GROUTED TO GRADE RINGS.
- ⑩ FRAME AND COVER PER SD-507.
- ⑪ MANHOLE STEPS. *(NOT REQUIRED)*
- ⑫ CAST IN PLACE MANHOLE BASE. SEE SD-501A FOR PREFABRICATED BASE.

NOTES:

- (A) OPTIONAL PREFABRICATED MANHOLE BASE WITH APPROVED PIPE CONNECTIONS MAY BE USED WITH ENGINEERS APPROVAL. SEE SD-501A.
- (B) *CONCENTRIC CONE TO BE USED.*
- (C) FOR DIAMETER, D, GREATER THAN 24", SEE SD-502 OR SD-503.
- (D) MANHOLE FRAME AND COVER:
A. REFER TO DRAWING NO. SD-507.
B. FRAME AND COVER SHALL BE FLUSH WITH SLOPE OF PAVEMENT.
- (E) WHERE PVC PIPE IS UTILIZED, INSTALL A RUBBER RING OR GASKET COLLAR WHERE THE PIPE IS IN CONTACT WITH MANHOLE BASE AND/OR MANHOLE CHANNEL, IN ORDER TO INSURE A WATERTIGHT SEAL.
- (F) EITHER BASE ON SD-501 OR SD-501A MAY BE USED WITH ANY MANHOLE DESIGN.
- (G) PROVIDE MANHOLE CONCRETE REINFORCING TO ACCOMMODATE TRAFFIC LOADINGS.

2008 REVISIONS

IDAHO STANDARDS
FOR PUBLIC WORKS
CONSTRUCTION

STANDARD MANHOLE
TYPE A

STANDARD DRAWING
NO. SD-501