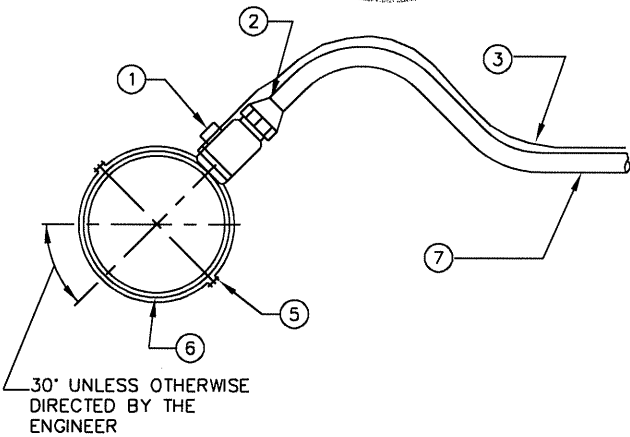
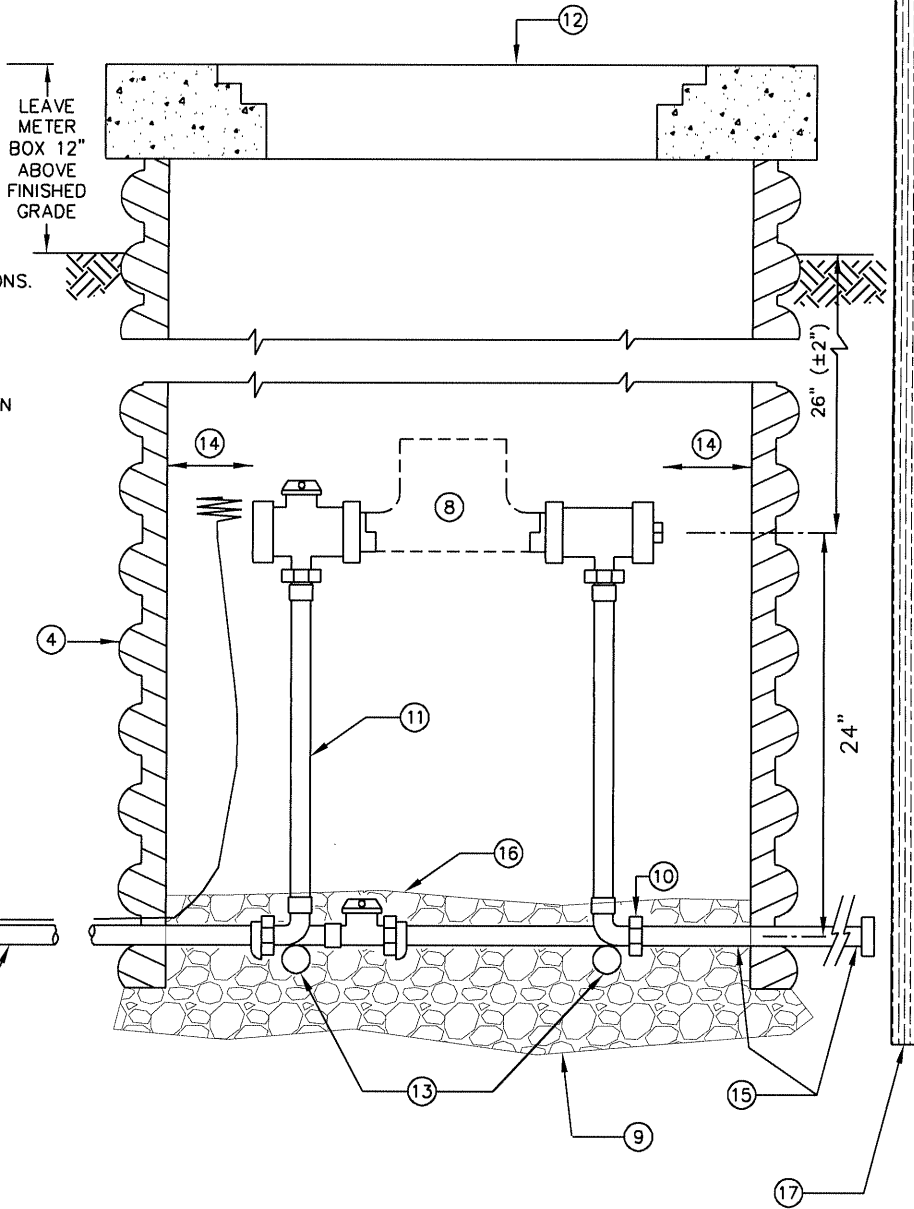


NOTES:

- (A) ALL PRODUCTS AS LISTED OR APPROVED SUBSTITUTIONS.
- (B) NO GALVANIZED PIPE OR YELLOW BRASS FITTINGS TO BE USED.
- (C) NO SERVICE CONNECTIONS WITHIN TWO FEET OF THE PIPE ENDS. STAGGER MULTIPLE CONNECTIONS MADE ON THE SAME JOINT OF PIPE ALONG THE CIRCUMFERENCE AND SEPARATED BY A MINIMUM OF TWO FEET.



30' UNLESS OTHERWISE DIRECTED BY THE ENGINEER

LEGEND

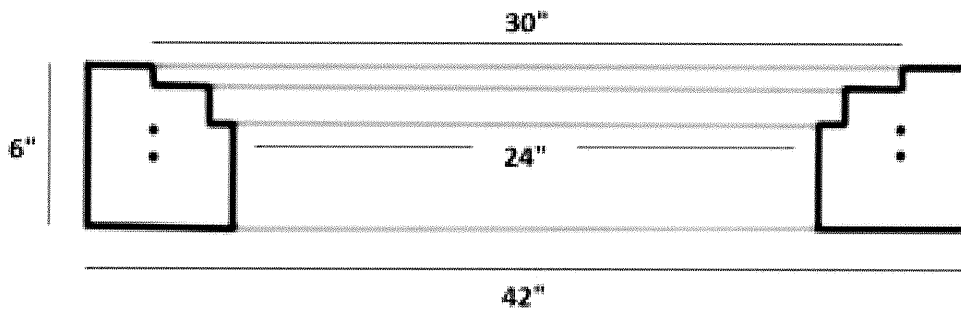
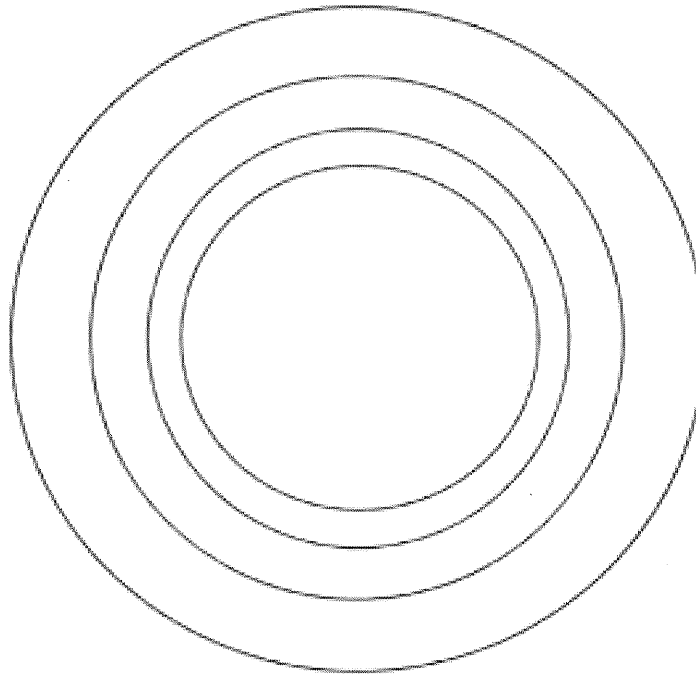
- (1) BRASS FORD CORPORATION STOP.
- (2) COPPER COMPRESSION COUPLING.
- (3) NO. 12 SOLID COPPER FINDER WIRE. WRAP AROUND CORP STOP. DO NOT SPLICE INTO MAINLINE TRACER WIRE.
- (4) 36" DIAMETER BLACK ADS METER BOX (SMOOTH INTERIOR AND CORRUGATED EXTERIOR) - NOTCH FOR SERVICE LINE.
- (5) STAINLESS STEEL, SINGLE OR DOUBLE BANDED SADDLE WITH FIP THREAD (FORD FS313 OR FS323).
- (6) WATER MAIN.
- (7) 1-1/2" OR 2" DIAMETER, SDR9 (250 PSI), COPPER TUBE SIZE, HOPE 4710 WATER SERVICE LINE. NO SPLICING IS ALLOWED BETWEEN CORPORATION STOP AND METER SETTER.
- (8) WATER METER SUPPLIED & INSTALLED BY CITY OF BURLEY.
- (9) INSTALL PEA GRAVEL 4" (MINIMUM) BELOW THE METER BOX ON FIRM UNDISTURBED EARTH.
- (10) THREAD PVC NIPPLE INTO METER SETTER.
- (11) 24" TALL COPPER METER SETTER.  
FORD VBHH76-24B-41-66-G-NL (1-1/2")  
FORD VBHH77-24B-41-77-G-NL (2")
- (12) RING AND COVER. INSTALL HEATH SPECIALTY PRECAST 42"x6" CONCRETE SPECIALTY GRADE RING WITH A D&L SUPPLY B-5306 MANHOLE RING AND A D&L SUPPLY A-1055 COVER. LID TO BE STAMPED "WATER".
- (13) INSTALL TWO 24" LONG 1" DIAMETER, SCH. 80 PVC PIPES THROUGH EYELETS TO STABILIZE METER SETTER.
- (14) PROVIDE A MINIMUM OF 2" BETWEEN METER SETTER AND THE METER BOX. (SPACE IS FOR INSULATION TO BE SUPPLIED AND INSTALLED BY THE CITY OF BURLEY)
- (15) INSTALL 24" LONG 1-1/2" OR 2" DIAMETER, SCHEDULE 80 PVC PIPE NIPPLE. INSTALL TEMPORARY FEMALE THREADED CAP.
- (16) INSTALL PEA GRAVEL TO COVER THE BYPASS.
- (17) INSTALL 8' LONG 2"x4" AT LEAST 24" ABOVE THE GROUND TO MARK THE END OF THE PVC PIPE.

CITY OF BURLEY, IDAHO  
STANDARD REVISION TO THE  
ISPWC DRAWINGS

1-1/2" AND 2" WATER  
SERVICE DETAIL DRAWING

STANDARD DRAWING  
NO. BSD-402

# Heath 42" x 6" Specialty Ring



Reinforced with 4 strands of 9 gauge galvanized wire or one piece of #3 rolled rebar and fiber mesh.

Not to Scale



[www.heathspecialtyprecast.com](http://www.heathspecialtyprecast.com)  
208-866-6233

Heath 46" x 6"  
Specialty Grade Ring

Copyright Heath Specialty Precast, LLC 2016