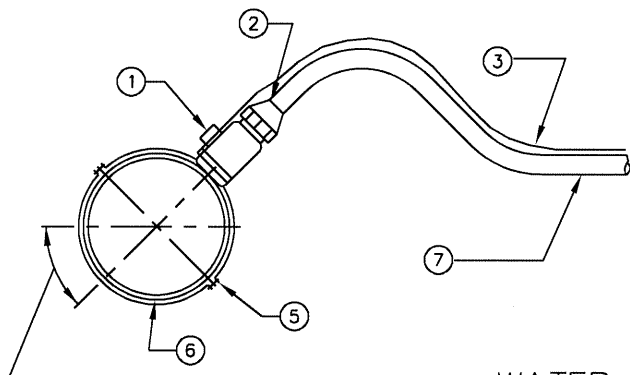
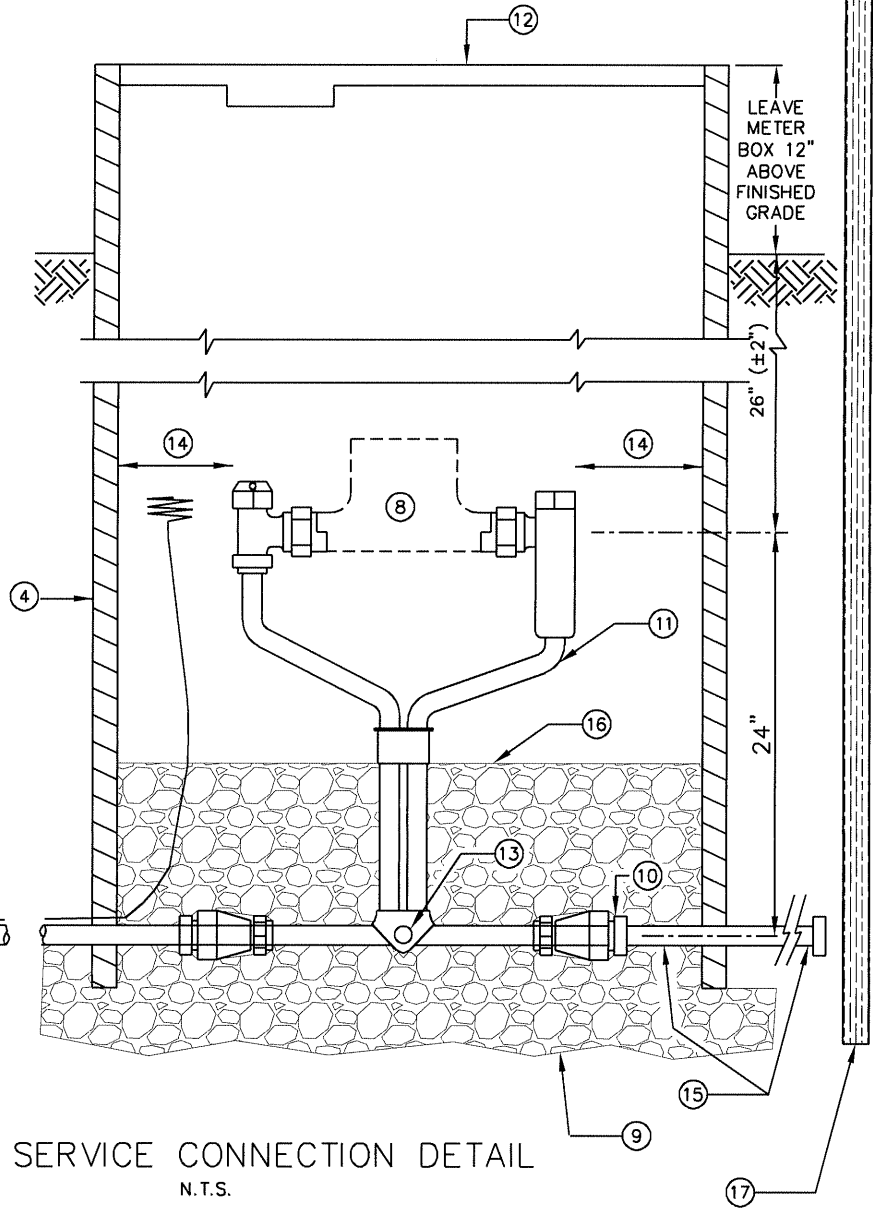
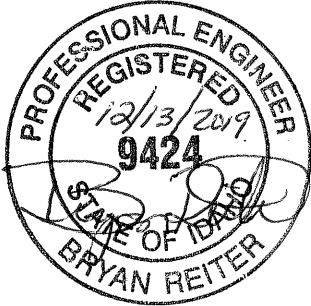


NOTES:

- (A) ALL PRODUCTS AS LISTED OR APPROVED SUBSTITUTIONS.
- (B) NO GALVANIZED PIPE OR YELLOW BRASS FITTINGS TO BE USED.
- (C) NO SERVICE CONNECTIONS WITHIN TWO FEET OF THE PIPE ENDS. STAGGER MULTIPLE CONNECTIONS MADE ON THE SAME JOINT OF PIPE ALONG THE CIRCUMFERENCE AND SEPARATED BY A MINIMUM OF TWO FEET.



30' UNLESS OTHERWISE DIRECTED BY THE ENGINEER

WATER SERVICE CONNECTION DETAIL
N.T.S.

LEGEND

- (1) BRASS FORD CORPORATION STOP.
- (2) COPPER COMPRESSION COUPLING.
- (3) NO. 12 SOLID COPPER FINDER WIRE. WRAP AROUND CORP STOP. DO NOT SPLICE INTO MAINLINE TRACER WIRE.
- (4) WHITE, RIBBED HDPE METER BOX (SMOOTH INTERIOR). 21" I.D. - NOTCH FOR SERVICE LINE.
- (5) STAINLESS STEEL, SINGLE OR DOUBLE BANDED SADDLE WITH FIP THREAD (FORD FS313 OR FS323).
- (6) WATER MAIN.
- (7) 1" DIAMETER, SDR 9 (250 PSI), COPPER TUBE SIZE, HDPE 4710 WATER SERVICE LINE. NO SPLICING IS ALLOWED BETWEEN CORPORATION STOP AND METER SETTER.
- (8) WATER METER SUPPLIED & INSTALLED BY CITY OF BURLEY.
- (9) INSTALL PEA GRAVEL 4" (MINIMUM) BELOW THE METER BOX ON FIRM UNDISTURBED EARTH.
- (10) THREAD PVC NIPPLE INTO METER SETTER.
- (11) 24" TALL COPPER METER SETTER. FORD VBHC94-24W-41-44E-G-NL
- (12) RING AND COVER. LID TO BE STAMPED "WATER". D&L SUPPLY B-5021 UNIVERSAL
- (13) INSTALL 20" LONG 3/4" DIAMETER, SCH. 80 PVC PIPE THROUGH EYELET TO STABILIZE METER SETTER.
- (14) PROVIDE A MINIMUM OF 2" BETWEEN METER SETTER AND THE METER BOX. (SPACE IS FOR INSULATION TO BE SUPPLIED AND INSTALLED BY THE CITY OF BURLEY)
- (15) INSTALL 24" LONG 1" DIAMETER, SCHEDULE 80 PVC PIPE NIPPLE. INSTALL TEMPORARY 1" FEMALE THREADED CAP.
- (16) INSTALL PEA GRAVEL UP TO THE METER SETTER STIFFENER.
- (17) INSTALL 8' LONG 2"x4" AT LEAST 24" ABOVE THE GROUND TO MARK THE END OF THE PVC PIPE.