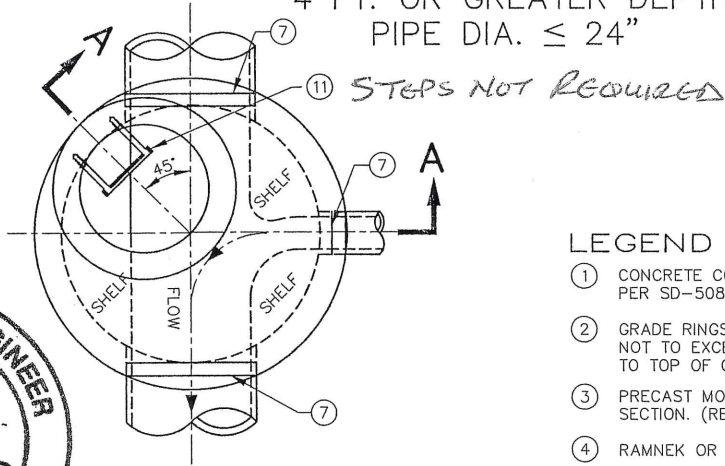
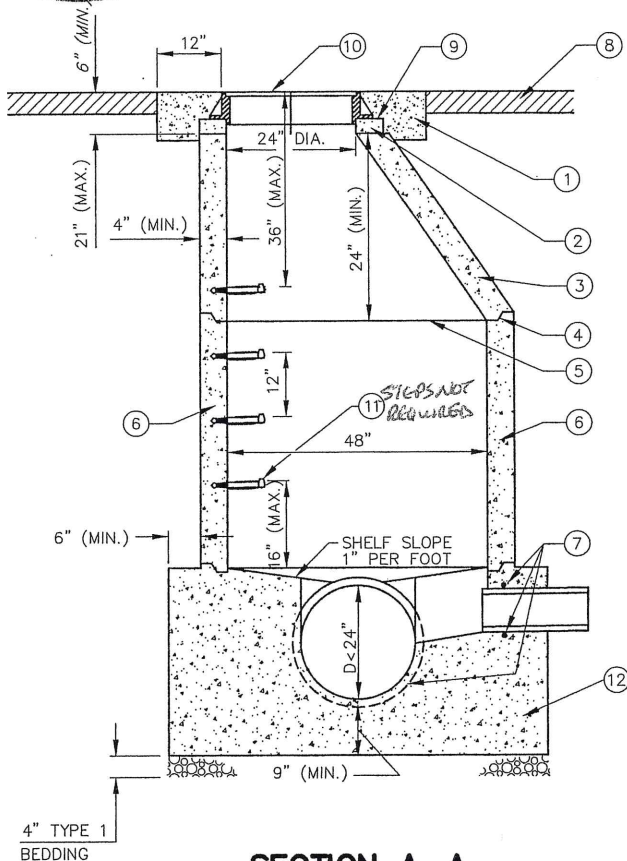


CONCENTRIC CONE

4 FT. OR GREATER DEPTH,
PIPE DIA. $\leq 24"$



PLAN
N.T.S.



LEGEND

- (1) CONCRETE COLLAR IN PAVED STREET SECTIONS PER SD-508.
- (2) GRADE RINGS GROUTED WATERTIGHT IN PLACE, NOT TO EXCEED 21" FROM FINISHED SURFACE TO TOP OF CONE. CONCENTRIC
- (3) PRECAST MONOLITHIC ~~ECCENTRIC~~ CONE SECTION. (REBAR NOT SHOWN).
- (4) RAMNEK OR APPROVED GASKETS ALL JOINTS.
- (5) PROPERLY ALIGN ALL INTERIOR JOINTS.
- (6) PRECAST CONCRETE MANHOLE-BARREL SECTION (REBAR NOT SHOWN).
- (7) PRECAST GASKETED HUB RING OR RUBBER GASKETED COLLAR-FLEXIBLE AND WATER TIGHT.
- (8) REPLACEMENT SURFACING TO MATCH FLUSH WITH EXISTING SURFACING (AC SHOWN).
- (9) FRAME TO BE GROUTED TO GRADE RINGS.
- (10) FRAME AND COVER PER SD-507.
- (11) MANHOLE STEPS. (NOT REQUIRED)
- (12) CAST IN PLACE MANHOLE BASE. SEE SD-501A FOR PREFABRICATED BASE.

NOTES:

- (A) OPTIONAL PREFABRICATED MANHOLE BASE WITH APPROVED PIPE CONNECTIONS MAY BE USED WITH ENGINEERS APPROVAL. SEE SD-501A.
- (B) CONCENTRIC CONE TO BE USED.
- (C) FOR DIAMETER, D, GREATER THAN 24", SEE SD-502 OR SD-503.
- (D) MANHOLE FRAME AND COVER:
A. REFER TO DRAWING NO. SD-507.
B. FRAME AND COVER SHALL BE FLUSH WITH SLOPE OF PAVEMENT.
- (E) WHERE PVC PIPE IS UTILIZED, INSTALL A RUBBER RING OR GASKET COLLAR WHERE THE PIPE IS IN CONTACT WITH MANHOLE BASE AND/OR MANHOLE CHANNEL, IN ORDER TO INSURE A WATERTIGHT SEAL.
- (F) EITHER BASE ON SD-501 OR SD-501A MAY BE USED WITH ANY MANHOLE DESIGN.
- (G) PROVIDE MANHOLE CONCRETE REINFORCING TO ACCOMMODATE TRAFFIC LOADINGS.

2008 REVISIONS

IDAHO STANDARDS
FOR PUBLIC WORKS
CONSTRUCTION

**STANDARD MANHOLE
TYPE A**

STANDARD DRAWING
NO. **SD-501**