

16 SIDEWALK.
17 MECHANICAL CONNECTION.
18 COVER DRAIN ROCK WITH FILTER FABRIC.
19 6" DIAMETER PIPE.

NOTES:

- HYDRANTS THAT ARE TO BE RELOCATED AS CALLED FOR ON THE PLAN VIEW SHALL BE REINSTALLED IN ACCORDANCE WITH LOCAL STANDARDS OR AS DIRECTED BY THE ENGINEER.
- ALL AUXILIARY VALVES TO BE LOCATED AT THE TEE ON THE WATER MAIN AS SHOWN ON THIS DETAIL OR AS DIRECTED BY THE ENGINEER. WHERE EXISTING FITTINGS ARE NOT COMPATIBLE WITH NEW MAIN CONSTRUCTION, USE SUITABLE ADAPTERS OR NEW FITTINGS UPON APPROVAL BY THE ENGINEER.
- ALL ANCHORS AND BLOCKING TO BEAR AGAINST UNDISTURBED SOIL.
- IF WATER SERVICE TO HYDRANT IS TO COMMENCE PRIOR TO SETTING OF CONCRETE THRUST BLOCKING, USE A COMBINATION OF CONCRETE AND UNI-FLANGE SERIES 1300 JOINT RESTRAINT.
- PLACE LOCATOR WIRE DIRECTLY ABOVE PIPE. SECURE FINDER WIRE UNDER (MJ) BOLT AT MAIN.
- JOINT RESTRAINT DEVICES MAY BE USED AS AN ALTERNATE TO THRUST BLOCK WITH ENGINEER'S APPROVAL.

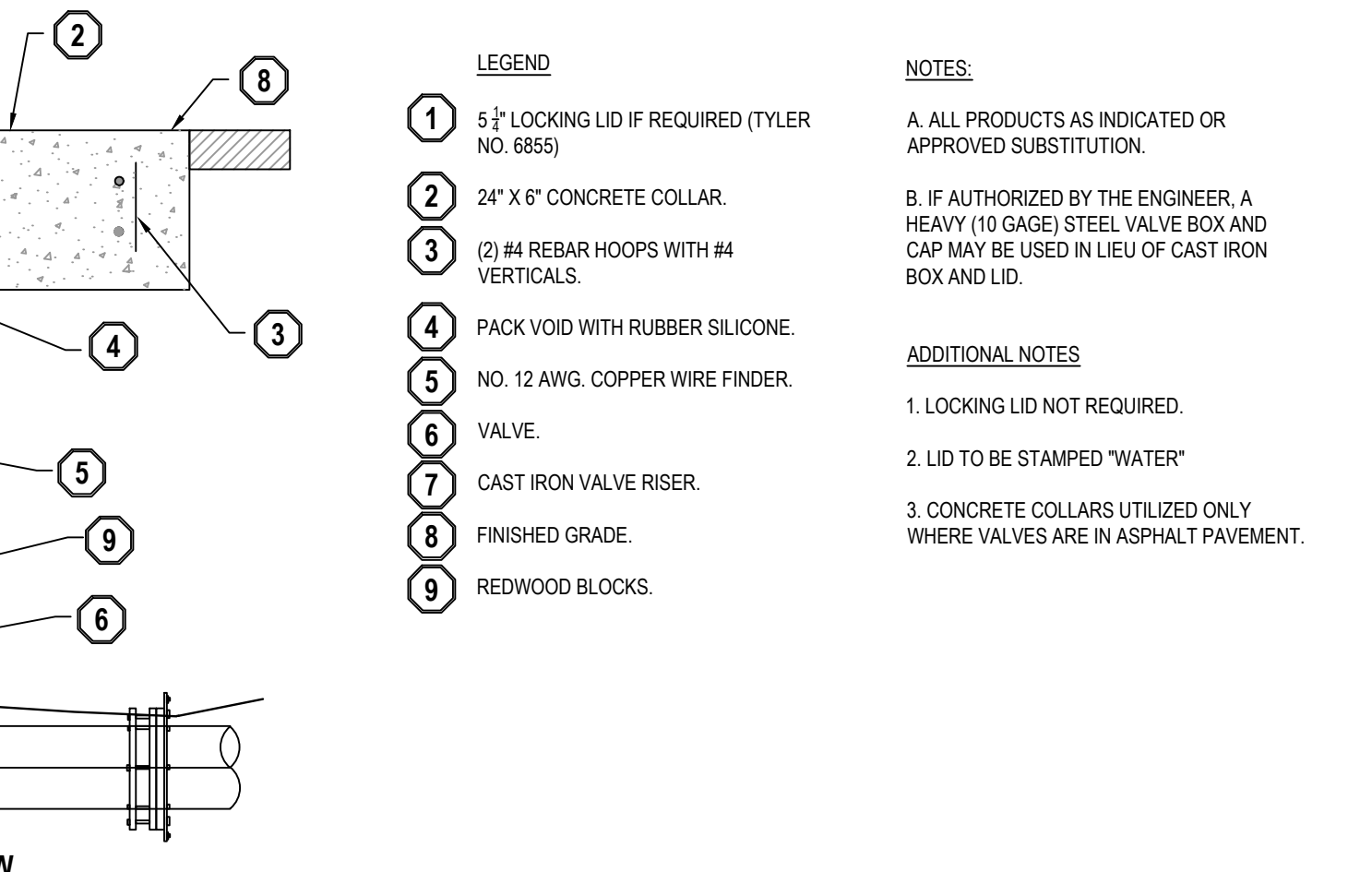
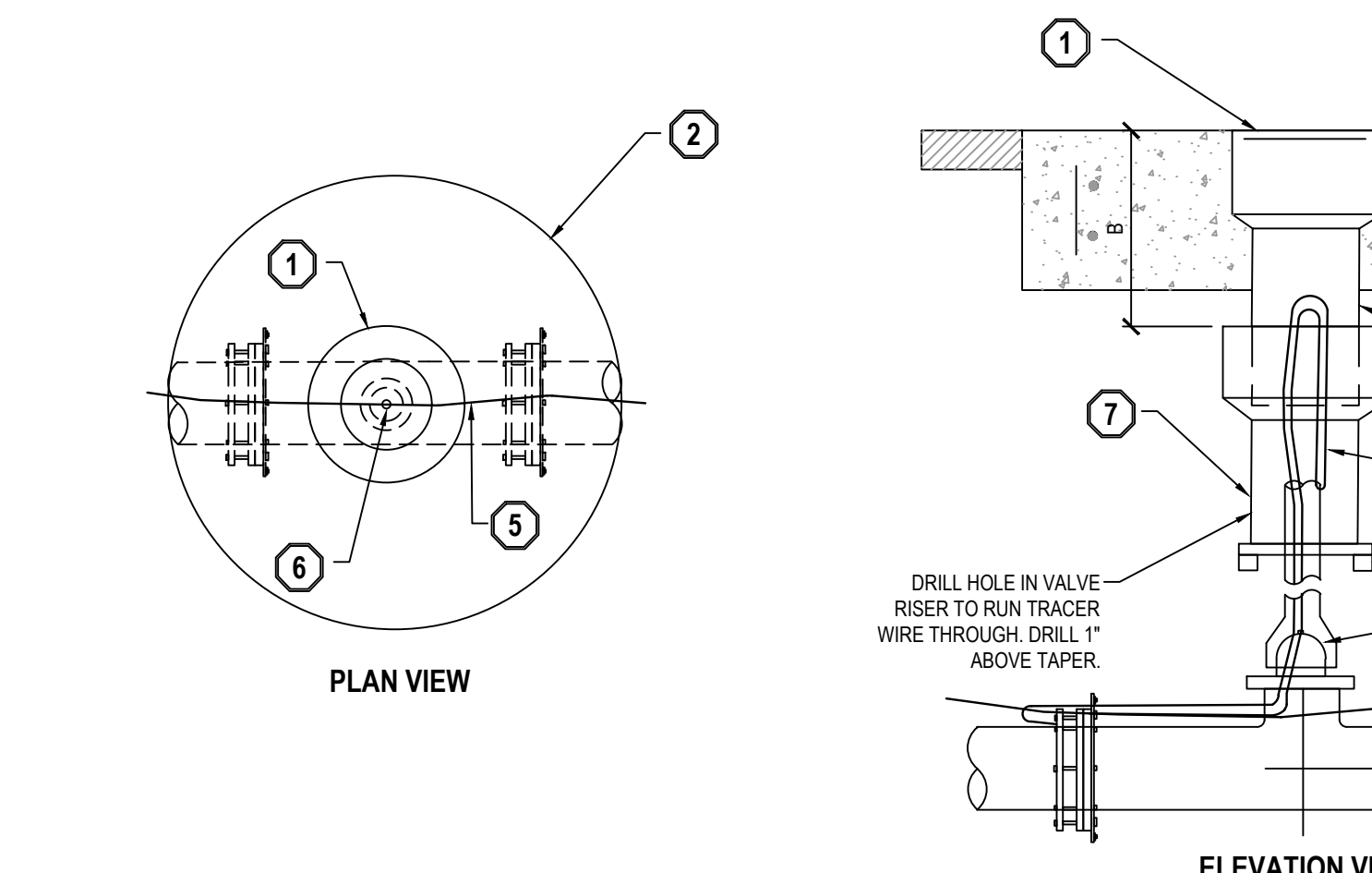
ACCEPTABLE MAKES OF FIRE HYDRANTS

- WATEROUS WB67250 WITH A 16" TRAFFIC SECTION.
- MUELLER CENTURION.
- CLOW MEDALLION.

1 TYPICAL TRENCH SCALE: NONE

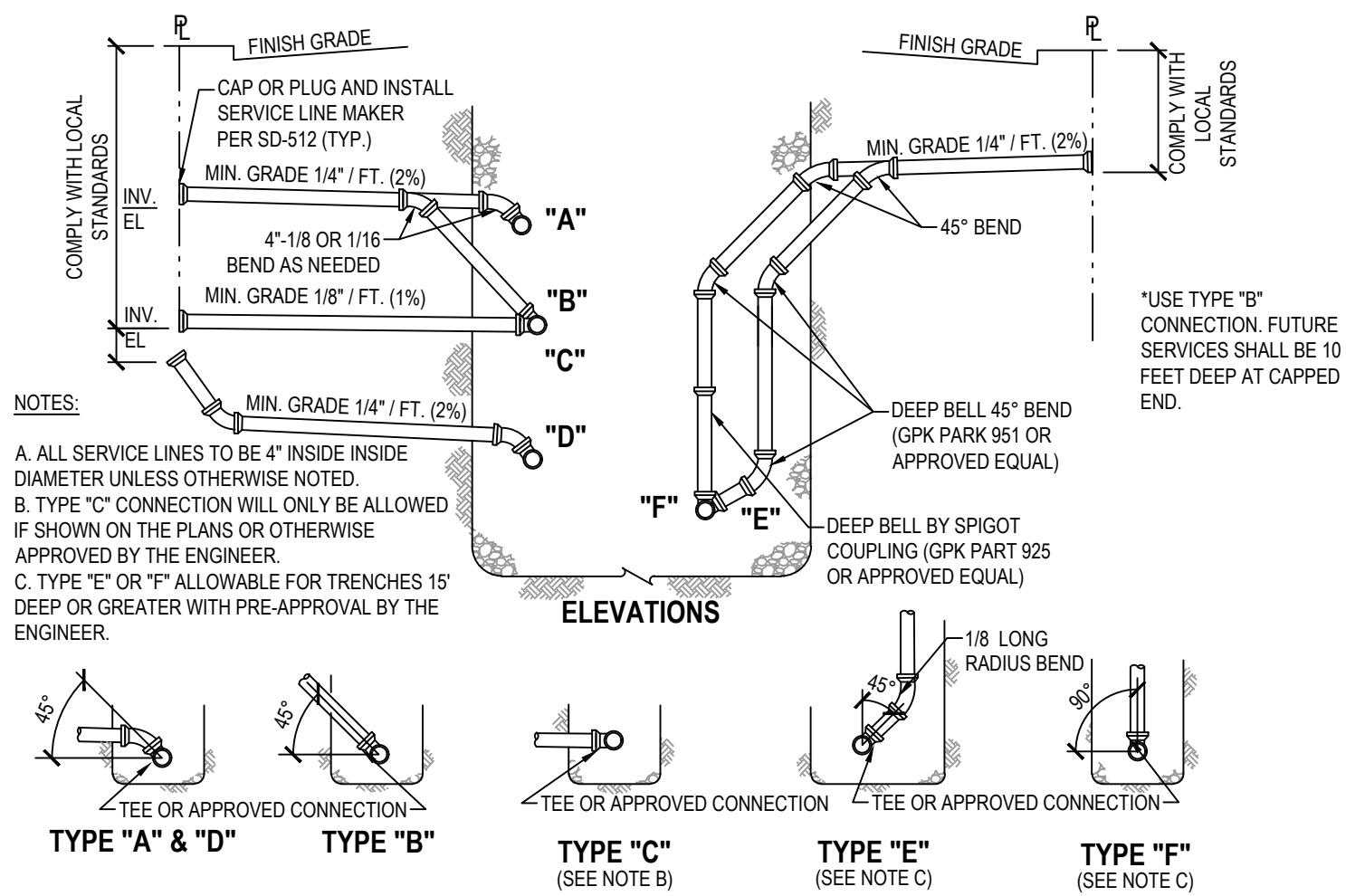
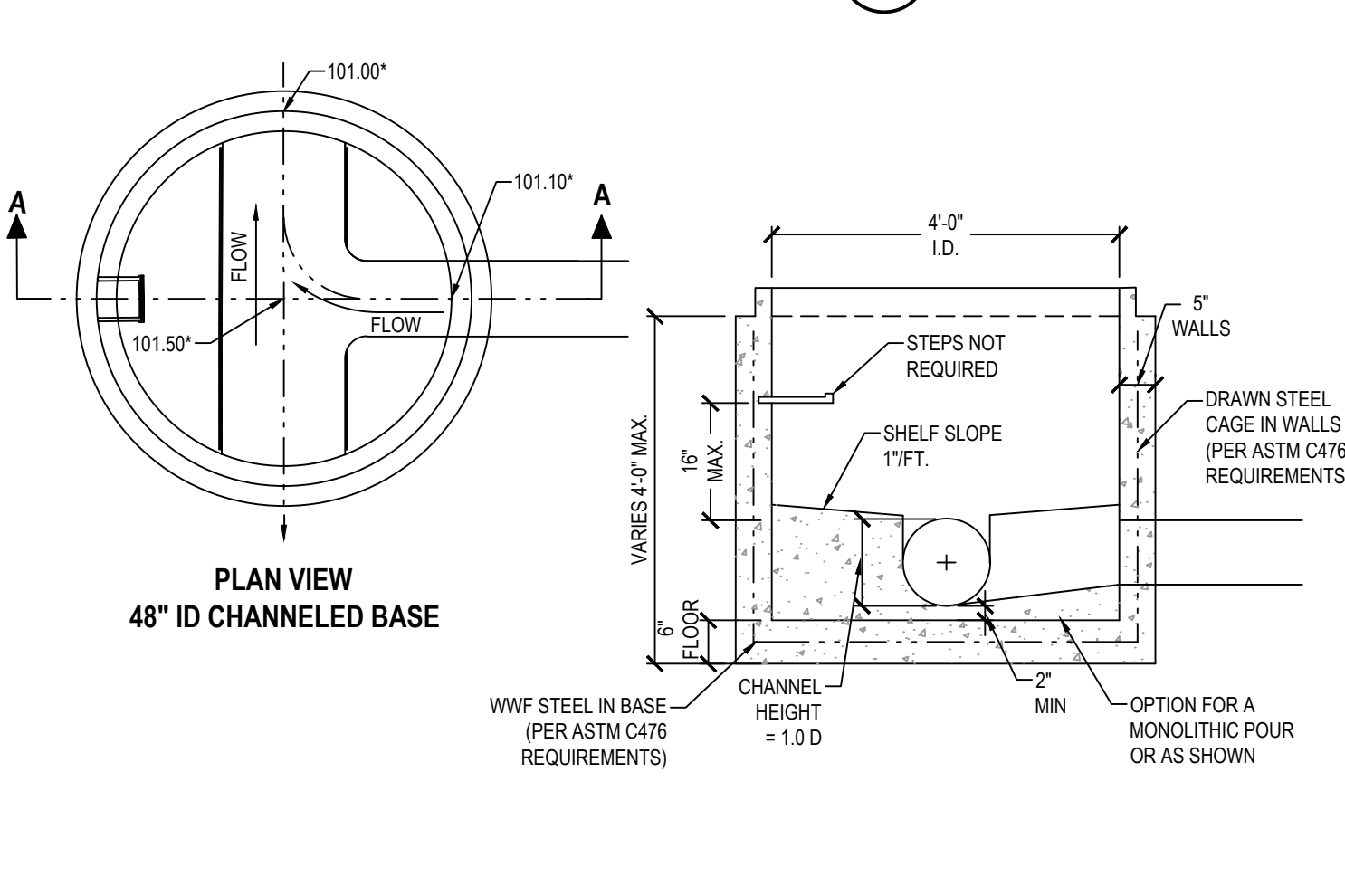
2 TYPICAL PIPE BEDDING SECTION SCALE: NONE

3 FIRE HYDRANT DETAIL SCALE: NONE



4 VALVE BOX AND LID DETAIL SCALE: NONE

5 STANDARD MANHOLE TYPE A SCALE: NONE



6 STANDARD MANHOLE PRECAST BASE TYPE A SCALE: NONE

7 STANDARD SEWER SERVICE LINES SCALE: NONE

ENSGN

LAYTON
 1485 West Hillfield Rd.
 Suite 204
 Layton UT 84041
 Phone: 801.547.1100
 Fax: 801.593.6315

SALT LAKE CITY
 Phone: 801.255.0529

TOOELE
 Phone: 435.843.3590

CEDAR CITY
 Phone: 435.865.1453

RICHFIELD
 Phone: 435.590.0187

WWW.ENSGNUTAH.COM

FOR:
 HOMES AT RIVERWALK, LLC
 CO WESTERN REGION (IDAHO), INC.
 223 WEST 700 SOUTH, SUITE D
 SALT LAKE CITY, UT 84041

CONTACT:
 RYAN HACKETT
 PHONE: 801-631-9200
 FAX: 801-828-2839

MILLER AVENUE
320 MILLER AVENUE
BURLEY, IDAHO



NO.	DATE	REVISION	BY
1	8-17-15	BID SET	MTS
2			
3			
4			
5			
6			
7			
8			

ISPWC DETAILS
MODIFIED PER
BURLEY CITY

PROJECT NUMBER	PRINT DATE
L2178	9/17/15
DRAWN BY	CHECKED BY
J.MOSS	M.STATEN
PROJECT MANAGER	
M.STATEN	

C-2.0