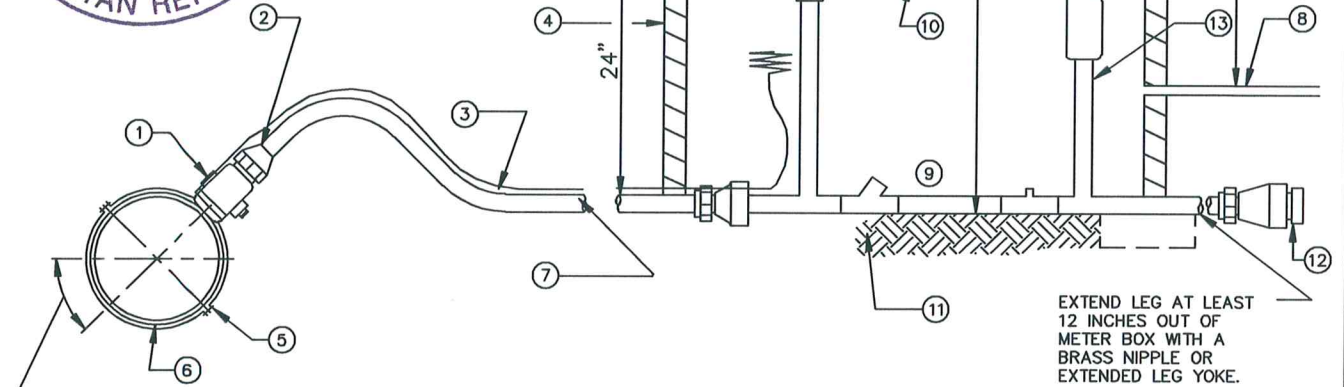


NOTES:

- (A) ALL PRODUCTS AS LISTED OR APPROVED SUBSTITUTIONS.
- (B) NO GALVANIZED PIPE OR YELLOW BRASS FITTINGS TO BE USED.
- (C) SERVICE PIPE: ULTRA HIGH MOLECULAR WEIGHT POLYETHYLENE PIPE SIDR 7 , CLASS 200 IN COPPER TUBE SIZE (DRISCO PIPE).
- (D) NO SERVICE CONNECTIONS WITHIN TWO FEET OF THE PIPE ENDS. STAGGER MULTIPLE CONNECTIONS MADE ON THE SAME JOINT OF PIPE ALONG THE CIRCUMFERENCE AND SEPARATED BY A MINIMUM OF TWO FEET.



WATER SERVICE CONNECTION DETAIL

N.T.S.

LEGEND

- (1) BRASS FORD CORPORATION STOP.
- (2) COPPER COMPRESSION COUPLING.
- (3) NO. 12 COPPER FINDER WIRE. WRAP AROUND CORP STOP. DO NOT SPLICE INTO MAINLINE TRACER WIRE.
- (4) WHITE, RIBBED HDPE METER BOX (SMOOTH INTERIOR). 21" I.D. - NOTCH FOR SERVICE LINE.
- (5) STAINLESS STEEL, DOUBLE BANDED SADDLE WITH CC THREAD (FORD FS323).
- (6) WATER MAIN.
- (7) WATER SERVICE LINE (TYP.) NO SPLICING IS ALLOWED BETWEEN WATER MAIN & METER.
- (8) INSTALL 2" CONDUIT TO INTERCONNECT PAIRED WATER METERS AT LOT LINES FOR AUTOMATED METER READING SYSTEM.
- (9) BYPASS (ONLY WHEN SPECIFIED)
- (10) WATER METER SUPPLIED & INSTALLED BY CITY OF BURLEY.
- (11) FIRM UNDISTURBED EARTH OR PEA GRAVEL.
- (12) PROVIDE TEMPORARY PLUG (THREADED IN HIGH GROUNDWATER AREAS).
- (13) 24" TALL COPPER METER SETTER. FORD VBH94-24W-41-44E-GNL
- (14) RING AND COVER. LID TO BE STAMPED "WATER". D&L SUPPLY B-5021 UNIVERSAL

CITY OF BURLEY, IDAHO
STANDARD REVISION TO THE
ISPWC DRAWINGS

1" WATER SERVICE
DETAIL DRAWING

STANDARD DRAWING
NO. WATER-1"